



Installation Manual

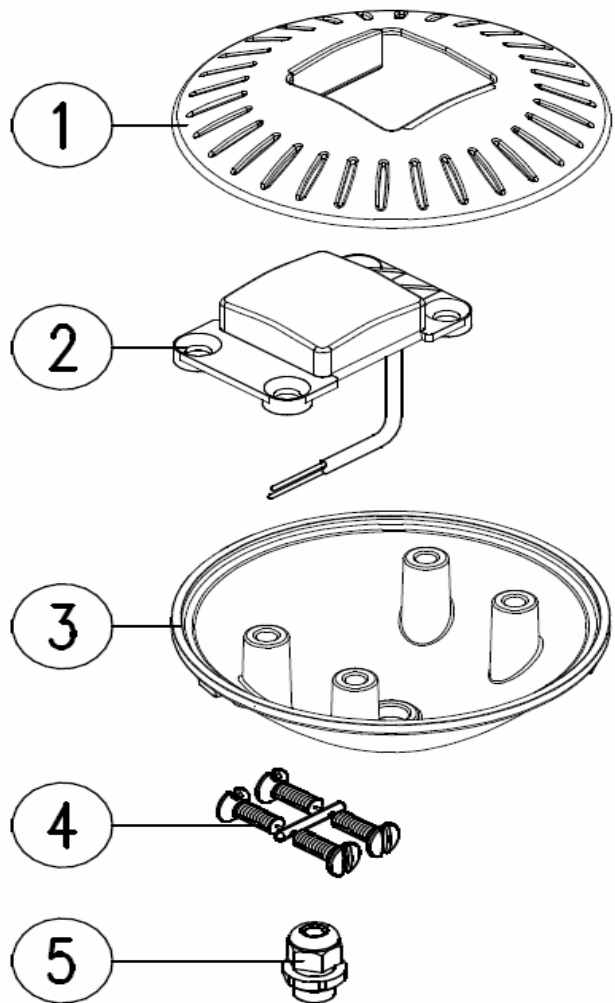
PAR56 Illuminator

LED Underwater-Illumination

1.1 Content

Please check the drawing for identification.

- 1. VW00101 1 light frame
- 2. PAR0510 1 LED illuminator
- 3. PAR0501 1 PAR56 back panel
- 4. VW00321 4 counter sunk screws M10x25mm
- 5. VW00213 1 IP68 cable screw joint



1.2 General Information

The aqua de-light PAR56 illuminator has been specifically designed for most existing niches, which fit a PAR56-300W halogen light.

Please note: The light has a patented water cooled PC system and should always be immersed in water.

1.3 Installation Instruction

- 1.3.1 Dismantle the existing underwater light, making sure the electrical power is disconnected. Remove the old PAR 56 light. Please ensure that all screws or fastening material remains in order and is not lost.

Replace the new aqua de-light PAR 56 illuminator exactly like the old PAR56 light.

Important: The installation must be done by an authorised electrician.

