

Installation Instructions LED under water illumination

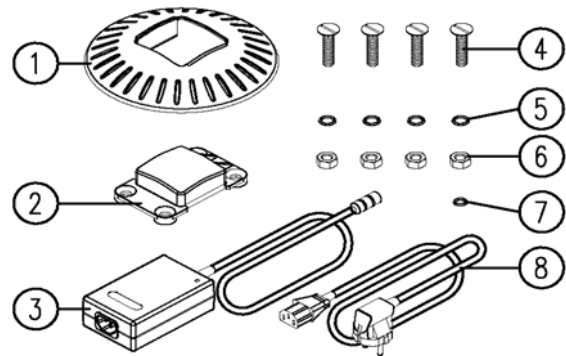
1.1 Installation

- 1.1.1 One aqua de-light is suitable for illumination of pools up to 30 m³.
- 1.1.2 Install the aqua de-light on a flat area of the pool wall.
- 1.1.3 The light has a patented water cooled PC system and should always be immersed in water.

1.2 Content:

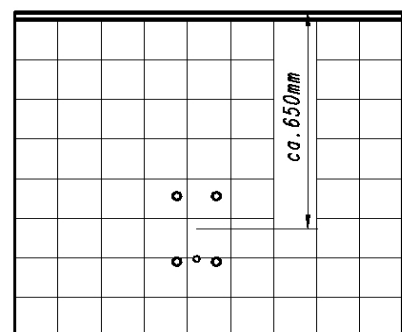
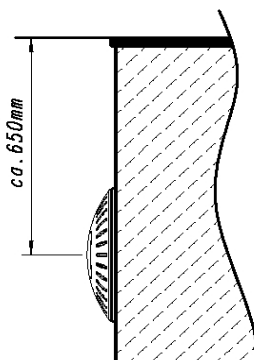
please check the drawing for identification

- | | |
|------------|--------------------------------|
| 1. VW00101 | 1 light frame |
| 2. VW00102 | 1 LED illuminator |
| 3. VW00111 | 1 transformer/controller |
| 4. VW00121 | 4 counter sunk screws M10x35mm |
| 5. VW00122 | 4 O-rings for M10mm screws |
| 6. VW00123 | 4 female screw nuts |
| 7. VW00124 | 1 O-ring 7mm for cable |
| 8. VW00112 | 1 cable |
| | 9. Template(see 1.3.2) |

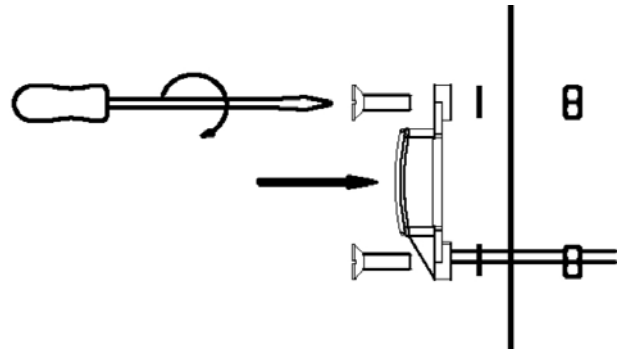


1.3 Installation procedure

- 1.3.1 The mounting of an aqua de-light illuminator depends on your kind of pool. This instruction procedure is mainly for Polyester and Ceramic pools with flat surfaces. For other types of pools (like concrete and liner pools), please read the instruction sheet for the "niche and flange".
- 1.3.2 Drill 4x10mm holes, and 1x7mm hole according to the enclosed template. The illuminator should be mounted approx. 650mm below the pool's edge beam, and below the water level.

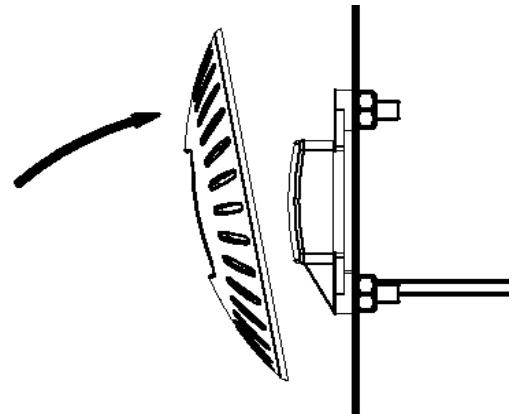


- 1.3.3 Slip the 7mm O-ring over the electrical cable, and insert the 4x10mm O-rings into the appropriate recesses of the illuminator housing (Tip-a drop of silicone will hold the O-rings in place). Push cable through the 7mm hole in wall, then from the interior side of the pool, insert the 4x10mm polyamide screws through the LED housing and the pool wall, and screw on nuts from the exterior side of the pool, covering the screw and nut threads with silicone.



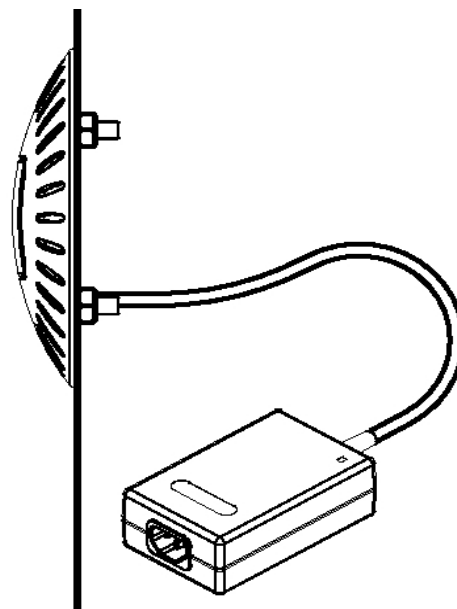
Do not use force, and do not use power-tools or electrical screw drivers as these may damage screws and nuts.

- 1.3.4 Secure the light frame to the LED illuminator (clicking in 2xretention flanges). Please note that the assembly of aqua de-light should be on a flat and even surface, or the retention flanges may not locate securely.



- 1.3.5 The electrical installation and fitting of conduit must be done in accordance with regulations, guidelines and laws of local regulators, and authorities. Each aqua de-light has its own transformer/controller and must be installed at least 3m away from the pool area, in a dry and weather protected location or compartment.

Be aware that the use of any other transformer may damage or destroy the aqua de-light illuminator.



Technical Details:

LED illuminator:	27 Watt / 12 Volt DC Outer Dimension: 110 x 70 x 30 mm
Frame:	D = 175 mm Material: Polycarbonat
Transformer:	90 - 268 Volt / 12 Volt UI 1950, CE; Tüv, EN 60950, CSA 22.2